

THE WORLD LEADER IN  
FUME EXTRACTION TECHNOLOGY

## AD 200 CU

Advantage

BOFA's Advantage 200 Cooling Unit is an electrically driven, cooling air unit. It supplies cool, filtered air to both the laser and power supply module. This clean, cool air ensures optimal laser performance and reliability.

### STANDARD FEATURES:

- Low noise level
- Stainless steel unit
- Filter efficiency F7 (96% @ 2 microns)
- Filter condition indicator

Filtered Cooling Unit. To ensure optimal performance and reliability.



PART NUMBERS		
Model	Voltage	Part No.
AD 200 CU Stainless Steel	230V	L1152A
	115V	L1151A

REPLACEMENT FILTERS		
Model	Pre Filter	Optional HEPA Filter
AD 200 CU	A1030162	A1030263

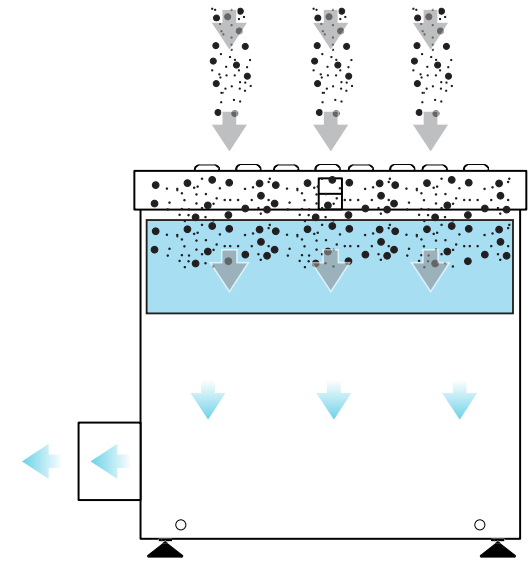
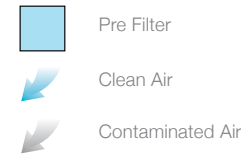
TECHNICAL DATA		
	230V	115V
Dimensions (HxWxD)	210 x 254 x 254mm	8.3" x 10" x 10"
Cabinet Construction	Brushed stainless steel	Brushed stainless steel
Airflow / Pressure	200m <sup>3</sup> /hr / 30mbar	117cfm / 30mbar
Electrical Data	230v 1ph 50/60Hz Full load current: 2 amps / 135watts	115v 50/60Hz Full load current: 1.2 amps / 135watts
Noise Level	< 54dBA*	< 54dBA*
Weight	5kg	11lbs

\* At typical operating speed.

PRE FILTER SPECIFICATIONS	
Filter Media	Glass Fibre
Filter Media Construction	50mm Folded Pleat
Filter Efficiency	F7 (96% @ 2 microns)

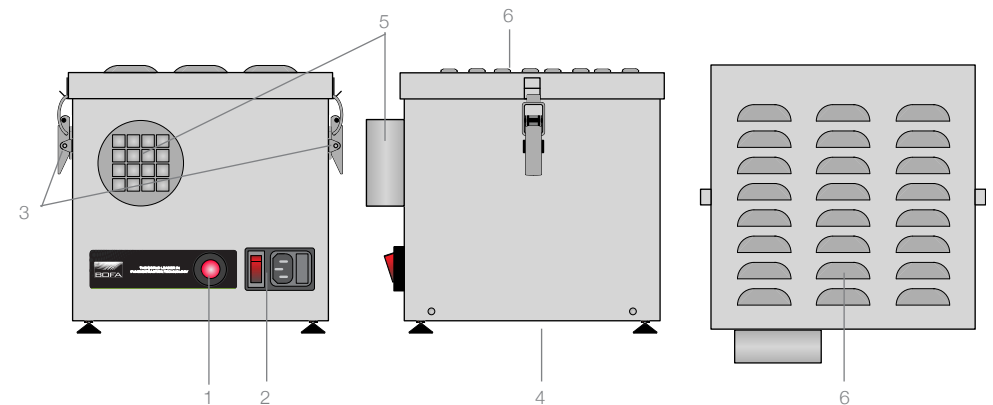
OPTIONAL HEPA FILTER SPECIFICATIONS	
HEPA Filter Media	Glass Fibre
HEPA Media Construction	Maxi Pleat Construction with Webbing Spacers
Filter Efficiency	H13 (99.997% @ 0.3 microns)

## AIRFLOW THROUGH FILTERS



## TECHNICAL SPECIFICATION

- Unit/Filter Condition Light
- On/Off Switch - Power Inlet
- Filter Compartment Latch
- Motor Cooling In & Out
- Hose Inlet Connection - 75mm
- Air Inlet



Other hose kits and filters are available. All of the above units are fitted with our standard filter combinations. For specific applications please call us for details. Replacement filters should always be ordered using the part number on the filters inside your extractor to ensure the correct filter is ordered. Datasheet correct at time of print.

Date:14/2/12 V:1.2



**BOFA INTERNATIONAL LTD**

Tel: +44 (0) 1202 699 444 Fax: +44 (0) 1202 699 446 Email: sales@bofa.co.uk Web: www.bofa.co.uk

**BOFA AMERICAS, INC**

Tel: (618) 635 4465 Fax: (866) 707 2632 Email: sales@bofaamericas.com Web: www.bofaamericas.com

