

THE WORLD LEADER IN
FUME EXTRACTION TECHNOLOGY

DP 50

DustPRO

BOFA's DustPRO 50 extraction unit has been developed for the safe and effective removal of swarf and smaller particulates during processes such as routing, mechanical engraving, grinding and turning.

One of the main problems with other router extraction relates to the type of pump used. Most have brushed motors which are noisy in operation and frequently burn out, with the average life of brushes being around 800 hours.

The pump used in the DustPRO 50 is brushless and designed for continuous running with minimum 30,000 hours use before servicing.

They generate high vacuums and are quiet in operation. The large capacity bag filter has a very high efficiency.

STANDARD FEATURES:

- Filters with long life and low replacement cost

OPTIONAL FEATURES:

- Remote stop / start interface
- Filter change / System fail signal

Industrial particle and dust extractor.

TYPICAL APPLICATIONS:

- PCB Cutting
- Cutting
- Drilling
- Linishing
- Marking
- CNC Engraving
- Routing
- Paper Cleaning
- Paper Processing
- Dental Labs
- Mail Sorting Machines



PART NUMBERS			
Model	Voltage	Part No.	24V Stop / Start
DustPRO 50 Powder Coated	230V	D0242A	A2001
	115V	D0241A	
DustPRO 50 with 18mm ID cable gland Powder Coated	230V	D0342A	
	115V	D0341A	

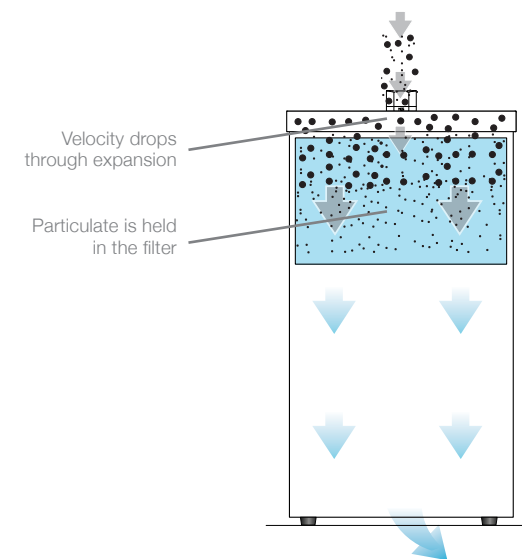
REPLACEMENT FILTER	
Model	Bag Filter Part No.
DustPRO 50	A1030135

TECHNICAL DATA		
	230V	115V
Dimensions (HxWxD)	535 x 290 x 290mm	21 x 11.4 x 11.4"
Cabinet Construction	Powder coated mild steel	Powder coated mild steel
Airflow / Pressure	80m³/hr / 100mbar Brushless motor	47cfm / 100mbar Brushless motor
Electrical Data	230v 1ph 50/60Hz Full load current: 2.8 amps / 0.4kw Fuse Rating 5 amps	115v 1ph 50/60Hz Full load current: 6 amps / 0.5kw Fuse Rating 10 amps
Noise Level	< 63dBA*	< 63dBA*
Weight	23kgs	50lbs

* At typical operating speed.

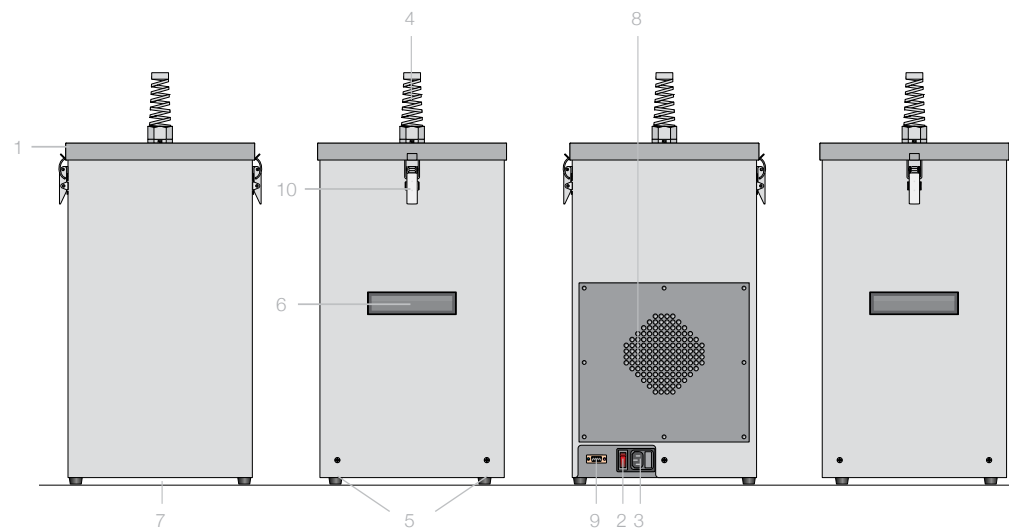
BAG FILTER SPECIFICATIONS	
Filter Holding Capacity	6.4 Ltrs
Filter Media	Polyester
Filter Media Construction	Bag Filter
Filter Efficiency	F8 (95% @ 0.9 microns)

AIRFLOW THROUGH FILTERS



TECHNICAL SPECIFICATION

- | | |
|--|---------------------------------------|
| 1 Unit Lid | 7 Handle |
| 2 On / Off Switch | 8 Exhaust Outlet |
| 3 Power Cable Inlet | 9 Motor Cooling Inlet |
| 4 Hose Inlet Connection - 10-18mm (Optional) | 10 Stop / Start Connection (Optional) |
| 5 Feet | |



Other hose kits and filters are available. All of the above units are fitted with our standard filter combinations. For specific applications please call us for details. Replacement filters should always be ordered using the part number on the filters inside your extractor to ensure the correct filter is ordered. Datasheet correct at time of print.

Date:8/2/12 V:1.2

BOFA INTERNATIONAL LTD

Tel: +44 (0) 1202 699 444 Fax: +44 (0) 1202 699 446 Email: sales@bofa.co.uk Web: www.bofa.co.uk

BOFA AMERICAS, INC

Tel: (618) 635 4465 Fax: (866) 707 2632 Email: sales@bofaamericas.com Web: www.bofaamericas.com

