

THE WORLD LEADER IN  
FUME EXTRACTION TECHNOLOGY

## FC FumeCAB 250

FumeCAB

### Now featuring LED Strip Light

With the introduction of the new HSG258 code of practice, partial enclosures are steadily becoming the preferred option for operator protection from fumes generated from processes such as hand soldering, solvent use, and other processes that produce harmful fumes. BOFA's new FumeCAB 250 fume cabinet has been purposely designed to help employers comply to these new regulations.

#### STANDARD FEATURES:

- LED strip light
- Powder coated white
- Strong rigid construction
- 1 x 1.5 meters of 75mm flexible hose

#### OPTIONAL FEATURE:

- V250 filtration unit

The complete solution for fume cabinet extraction for various applications



FumeCAB 250

#### TYPICAL APPLICATIONS:

- Hand soldering
- Conformal coating
- Gluing
- Solvent cleaning
- Solder pots
- Powder handling
- Rework stations



FumeCAB 250 Back

V250

PART NUMBERS		
Model	Part Number	VOC Monitoring
FumeCAB 250	A1020127	N/A
FumeCAB 250 and V250 fitted with combined HEPA/Gas filter	E0842A0006	A2003
FumeCAB 250 and V250 fitted with double gas filter	E0842A0007	A2003

TECHNICAL DATA - FUMECAB 250		
	230V	115V
Dimensions (HxWxD)	289 x 400 x 300 mm	11.4 x 15.7 x 11.8"
Opening Dimensions (HxW)	265 x 400mm	10.4 x 15.7"
Recommended Face Velocity	0.5m/s	118 f/min

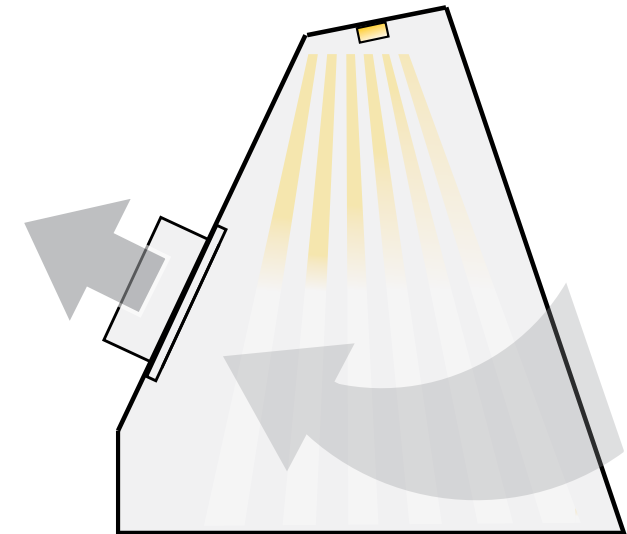
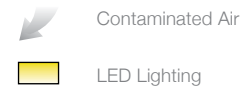
TECHNICAL DATA - V250		
	230V	115V
Dimensions (HxWxD)	380 x 260 x 260mm	15 x 10.2 x 10.2"
Cabinet Construction	Powder coated mild steel	Powder coated mild steel
Airflow / Pressure	180m³/hr / 30mbar	106cfm / 30mbar
Electrical Data	230v 1ph 50/60Hz Full load current: 0.9 amps / 135w / Centrifugal fan	115v 60/50Hz Full load current: 1.2 amps / 135w / Centrifugal fan
Noise Level	< 55dBA*	< 55dBA*
Weight	10kg	22lbs
Duct Size	75mm	3"
Duct Run	5 mtrs	16.4ft

\* At typical operating speed.

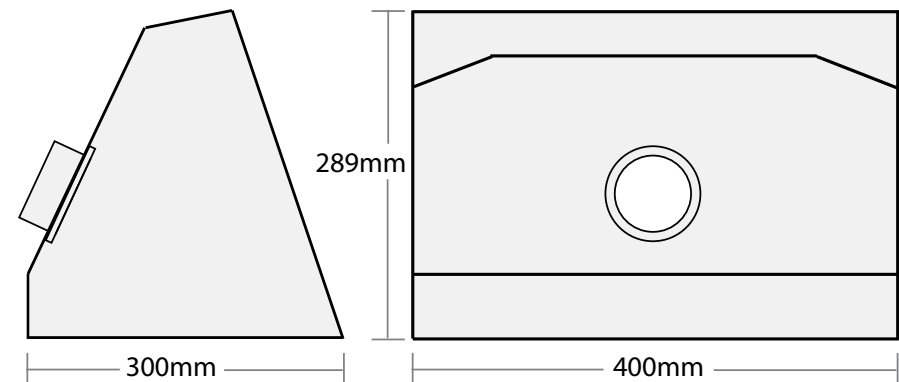
V250 PRE FILTER SPECIFICATIONS	
Filter Media	Glass Fibre
Filter Media Construction	Pad
Filter Efficiency	F7 (96% @ 2 microns)

V250 COMBINED FILTER SPECIFICATIONS	
HEPA Filter Media	Glass Fibre
HEPA Media Construction	Maxi Pleat Construction with Webbing Spacers
Treated Activated Carbon	2kgs
Filter Housing	Zintec Mild Steel
Filter Efficiency	H13 (99.997% @ 0.3 microns)

## AIRFLOW THROUGH FILTERS



## TECHNICAL SPECIFICATION



Other hose kits and filters are available. All of the above units are fitted with our standard filter combinations. For specific applications please call us for details. Replacement filters should always be ordered using the part number on the filters inside your extractor to ensure the correct filter is ordered. Datasheet correct at time of print.

Date:16/2/12 V1.2



**BOFA INTERNATIONAL LTD**

Tel: +44 (0) 1202 699 444 Fax: +44 (0) 1202 699 446 Email: sales@bofa.co.uk Web: www.bofa.co.uk

**BOFA AMERICAS, INC**

Tel: (618) 635 4465 Fax: (866) 707 2632 Email: sales@bofaamericas.com Web: www.bofaamericas.com

