

THE WORLD LEADER IN
FUME EXTRACTION TECHNOLOGY



Volume

Oracle SA

Introducing BOFA's most technically advanced high volume extractor. The V Oracle SA packs a powerful range of unique features into one compact unit.

The revolutionary Auto-Voltage Sensing Pump automatically self adjusts to run on any voltage worldwide, whilst the Reverse Flow filter technology enhances filter performance and ensures longer filter life.

Automatic Flow Control allows the user to preset correct flow rates, for lower noise levels and further protection of both the combined filter and pre filter.

STANDARD FEATURES:

- Auto sensing voltage (90-257v) for global use
- Automatic flow control
- Low cost replacement filters
- Reverse flow
- 'Easi-Seal' filter location
- Castors for portability
- Small footprint
- Low noise levels

The complete, global solution for high volume arm extraction for solder applications.



Automatic Flow Control

OPTIONAL FEATURES:

- VOC Sensing (Volatile Organic Compound)
- Remote Stop / Start
- Filter Change Signal
- On-board Compressor
- Optional Filter Media's



PART NUMBERS					
Model	Part No.	24V Stop / Start	Filter change / System failure signal	VOC Monitoring	Hose Kit*
V Oracle SA Stainless Steel	L2354A0000	A2001	A2002	A2003	A1020007
V Oracle SA Powder Coated	L2344A0000	A2001	A2002	A2003	A1020007

REPLACEMENT FILTERS		
Model	Pre Filter	Combined filter
V Oracle SA	A1030093	A1030155

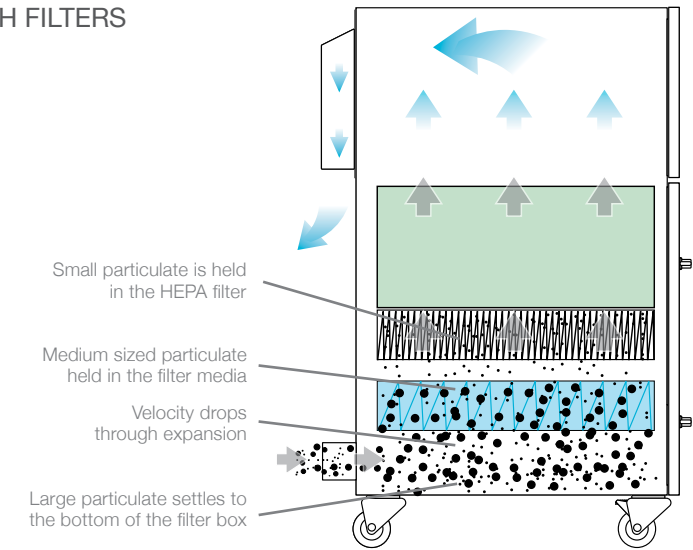
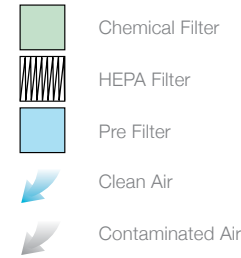
TECHNICAL DATA		
	230V	115V
Dimensions (HxWxD)	720 x 430 x 430 mm	29.5 x 17 x 17"
Cabinet Construction	Brushed stainless steel / Powder coated mild steel	Brushed stainless steel / Powder coated mild steel
Airflow / Pressure	380m ³ /hr / 96mbar	223cfm / 96mbar
Electrical Data	90 - 257v 1ph 50/60Hz Full load current: 12.5 amps / 1.1kw	
Noise Level	< 60dBA*	< 60dBA*
Weight	54kg	119lbs

* At typical operating speed.

PRE FILTER SPECIFICATIONS	
Surface Media Area	0.6m ² approx
Filter Media	Glass Fibre
Filter Media Construction	Folded Pleat
Housing	Cardboard
Filter Efficiency	F7 (85% @ 0.8 microns)

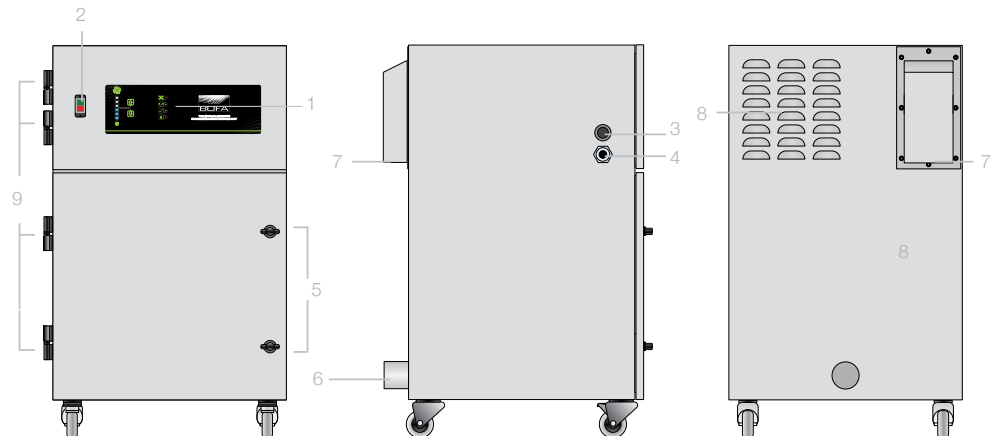
COMBINED FILTER SPECIFICATIONS	
HEPA Filter Media	Glass Fibre
HEPA Media Construction	Maxi Pleat Construction with Webbing Spacers
Filter Efficiency	H13 (99.997% @ 0.3 microns)
Gas Filter	Treated Activated Carbon
Filter Housing	Zintec Mild Steel

AIRFLOW THROUGH FILTERS



TECHNICAL SPECIFICATION

- | | |
|--|--------------------------------|
| 1 Unit / Filter Condition Display - Automatic Flow Control | 5 Door Latch |
| 2 On / Off Switch | 6 Hose Inlet Connection - 75mm |
| 3 Power Cable | 7 Exhaust Outlet |
| 4 Signal / Interface Cable | 8 Motor Cooling Inlet |
| | 9 Door Hinge |



Other hose kits and filters are available. All of the above units are fitted with our standard filter combinations. For specific applications please call us for details. Replacement filters should always be ordered using the part number on the filters inside your extractor to ensure the correct filter is ordered. Datasheet correct at time of print.

Date:16/2/12 V 1.2



BOFA INTERNATIONAL LTD

Tel: +44 (0) 1202 699 444 Fax: +44 (0) 1202 699 446 Email: sales@bofa.co.uk Web: www.bofa.co.uk

BOFA AMERICAS, INC

Tel: (618) 635 4465 Fax: (866) 707 2632 Email: sales@bofaamericas.com Web: www.bofaamericas.com

