




THE WORLD LEADER IN
FUME EXTRACTION TECHNOLOGY

V 600

BOFA's high end range of extraction systems combine large filter capacity with high airflows and pressure. The V 600 high volume extraction system offers protection against harmful fumes. This unit incorporates 3 stage filtration, filter condition display, and built in silencing. A truly state of the art fume purification solution.

STANDARD FEATURES:

- Blower with high airflow and pressure
- 3 stage filtration
- Filter condition display
- Built in silencing
- Long life filters with low replacement costs
- Digital speed control
-  DeepPleat pre filter

OPTIONAL FEATURE:

- Remote speed control and power switch
- Remote stop / start interface
- Filter change / System fail signal

Centralised extraction for
lead free solder applications

PACKAGE INCLUDES

- V600 Extraction unit
- 1 x Pre filter pleat
- 1 x Combined HEPA/Gas filter
- 1 x Power cable



Featuring DeepPleat
filter technology



V600 FILTERS



PART NUMBERS				
Model	Voltage	Part No.	Interface	VOC Monitoring
V 600	230V	E1142A	A3001	A2003
Powder Coated	115V	E1141A		

REPLACEMENT FILTERS		
Model	DeepPleat Pre Filter	Combined Filter
V 600	A1030119	A1030118

TECHNICAL DATA		
	230V	115V
Dimensions (HxWxD)	590 x 375 x 415mm	23.2 x 14.8 x 16.3"
Cabinet Construction	Powder coated mild steel	Powder coated mild steel
Airflow / Pressure	350m ³ /hr / 96mbar	206cfm / 96mbar
Electrical Data	90-257v 1ph 50/60Hz Full load current: 25 amps / 1.1kw	
Noise Level	< 56dBA*	< 56dBA*
Weight	35kgs	77lbs

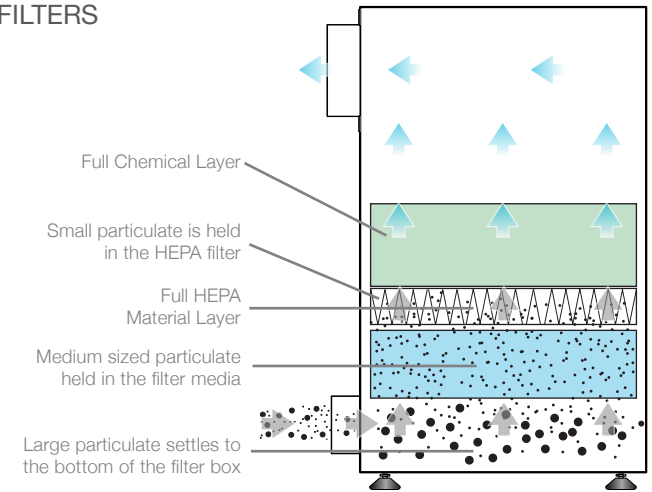
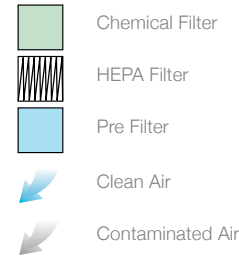
* At typical operating speed.

DEEPPLEAT PRE FILTER SPECIFICATIONS	
Surface Media Area	6m ² approx
Filter Media	Glass Fibre
Filter Media Construction	Folded
Filter Efficiency	F8 (95% @ 0.9 microns)

COMBINED FILTER SPECIFICATIONS	
HEPA Filter Media	Glass Fibre
HEPA Media Construction	Maxi Pleat Construction with Webbing Spacers
Gas Filter	Treated Activated Carbon
Filter Housing	Zintec Mild Steel
Filter Efficiency	H13 (99.997% @ 0.3 microns)

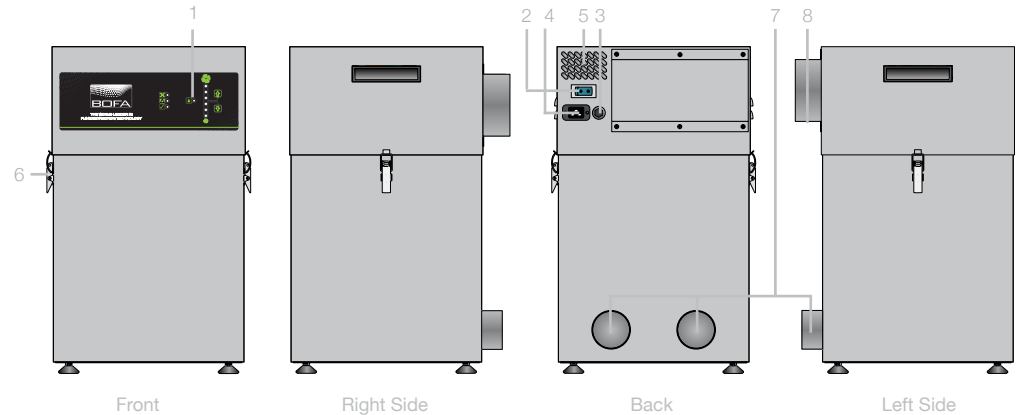
SPECIFICATIONS		
	230V	115V
Maximum number of 32mm Arms	7	7
Maximum number of 50mm Arms, Cowls or Down Draft Trays	5	5
Maximum number of 75mm Arms, Cowls or Down Draft Trays	2	2

AIRFLOW THROUGH FILTERS



TECHNICAL SPECIFICATION

- 1 Filter Condition Display
- 2 On / Off Switch
- 3 Signal / Interface Cable
- 4 Power Cable Inlet
- 5 Motor Cooling Inlet
- 6 Filter Latch
- 7 Hose Inlet Connection - 75mm (x2)
- 8 Exhaust Outlet



Other hose kits and filters are available. All of the above units are fitted with our standard filter combinations. For specific applications please call us for details. Replacement filters should always be ordered using the part number on the filters inside your extractor to ensure the correct filter is ordered. Datasheet correct at time of print.

Date:14/2/12 V:1.2



BOFA INTERNATIONAL LTD

Tel: +44 (0) 1202 699 444 Fax: +44 (0) 1202 699 446 Email: sales@bofa.co.uk Web: www.bofa.co.uk

BOFA AMERICAS, INC

Tel: (618) 635 4465 Fax: (866) 707 2632 Email: sales@bofaamericas.com Web: www.bofaamericas.com

