



THE WORLD LEADER IN
FUME EXTRACTION TECHNOLOGY

V 300E

The V300E extraction unit is a compact, low cost system which is capable of generating high air flow rates from a range of bench top attachments.

The extraction unit can be positioned comfortably under a bench with a simple installation kit to connect to the most suitable extraction accessory.

STANDARD FEATURES:

- Simple Installation
- Variable speed/flow control available
- High efficiency filters available (99.997%)
- High air flow rates

Entry level arm extraction
for solder applications.



PACKAGE INCLUDES

- V300E Extraction Unit
- 1 x Pre filter pad
- 1 x Combined particulate/gas filter
- 1 x Power cable

PART NUMBERS		PRE FILTER	COMBINED FILTER
Model	Voltage	Part Number	Part Number
V300E	230v	E0942A0000	
Powder Coated	115v	E0941A0000	

TECHNICAL DATA		
	230V	115V
Dimensions (HxWxD)	450 x 300 x 300mm	17.7 x 11.8 x 11.8"
Cabinet Construction	Brushed stainless steel	Brushed stainless steel
Airflow / Pressure	320m³/hr / 5mbar	188cfm / 5mbar
Electrical Data	230v 50/60Hz Full load current: 1.1 amps / 0.25kw	115v 50/60Hz Full load current: 2.1 amps / 0.255kw
Noise Level	< 52dBA*	< 52dBA*
Weight	15kg	33lbs
Duct Size	2 x 75mm	2 x 3"
Duct Run	3mtrs	9.8ft
Gas Filter	Treated Activated Carbon	

* At typical operating speed.

HIGH VOLUME ENTRY LEVEL EXTRACTION UNIT:

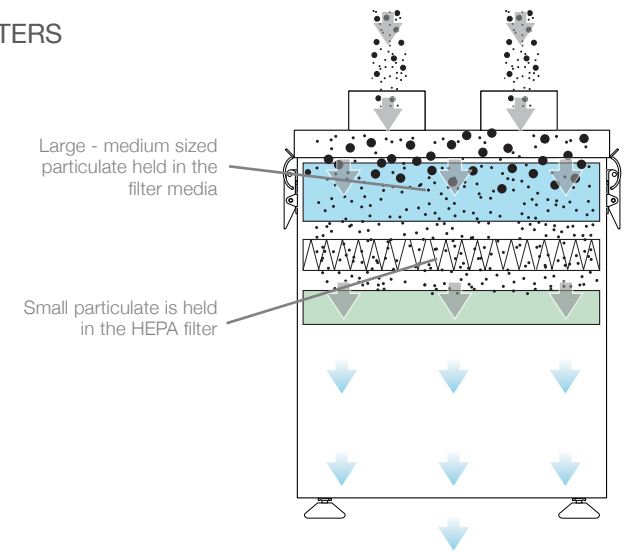
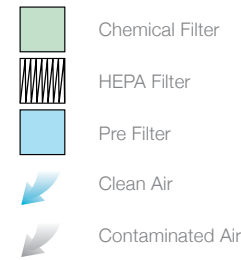
A cost effective, high volume entry level unit. The V300E is capable of extracting fumes, with optimal flow rates, for up to two soldering stations.

- Variable speed/flow control available.
- 95% Particulate filter efficiency
- High efficiency filters available (up to 99.997%), DOP (with a reduced airflow).

UNIT SPECIFICATIONS		
	230V	115V
Maximum number of 50mm Arms, Cows or Down Draft Trays	2	2
Maximum number of 75mm Arms, Cows or Down Draft Trays	2	2

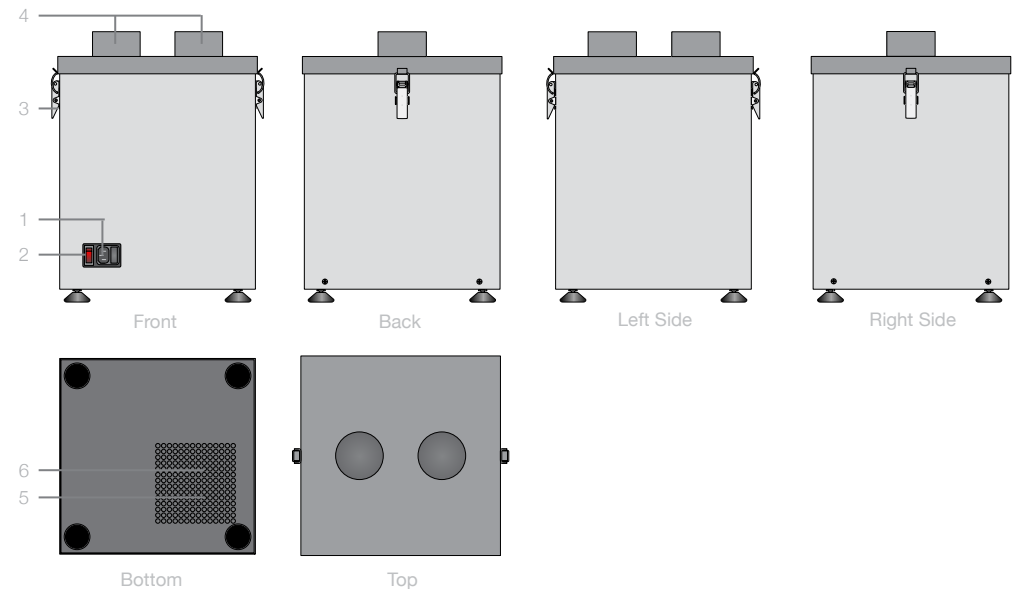
Other hose kits and filters are available. All of the above units are fitted with our standard filter combinations. For specific applications please call us for details. Replacement filters should always be ordered using the part number on the filters inside your extractor to ensure the correct filter is ordered. Datasheet correct at time of print.

AIRFLOW THROUGH FILTERS



TECHNICAL SPECIFICATION

- | | |
|---------------------|------------------------------------|
| 1 Power Cable Inlet | 4 Hose Inlet Connection - 2 x 75mm |
| 2 On / Off Switch | 5 Exhaust Outlet |
| 3 Filter Latch | 6 Motor Cooling Inlet |



Date:16/2/12 V1.2



BOFA INTERNATIONAL LTD

Tel: +44 (0) 1202 699 444 Fax: +44 (0) 1202 699 446 Email: sales@bofa.co.uk Web: www.bofa.co.uk

BOFA AMERICAS, INC

Tel: (618) 635 4465 Fax: (866) 707 2632 Email: sales@bofaamericas.com Web: www.bofaamericas.com

